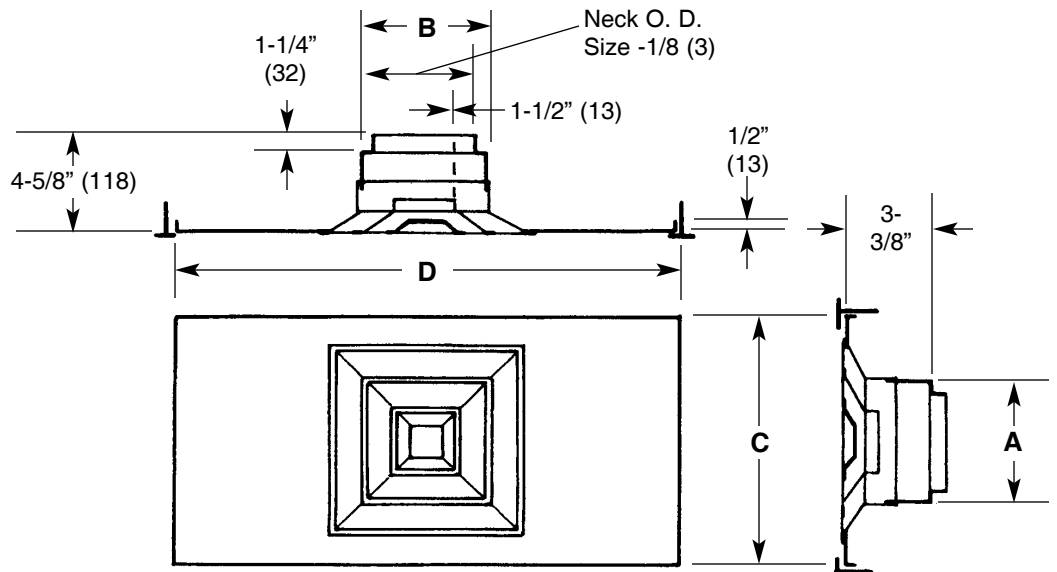
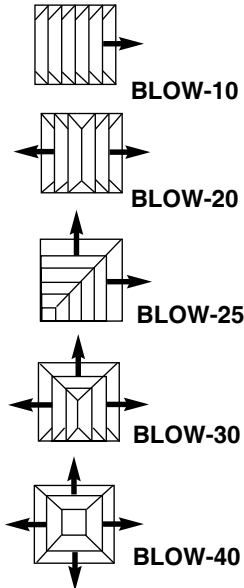


**Imperial [IP] Dimensions**  
**Metric (SI) in Parentheses**

CARNES COMPANY, 448 S. Main St., P. O. Box 930040, Verona, WI 53593-0040 Phone (608) 845.6411 Fax: (608) 845.6470 carnes@carnes.com

### SQUARE



DIMENSIONS LISTED IN INCHES (Millimeters)

Unit Size	Size A x B	PANEL - C x D				
		11-3/4x11-3/4 (229x229)	11-3/4x23-3/4 (229x603)	23-3/4x23-3/4 (603x603)	23-3/4x47-3/4 (603x1212)	47-3/4x47-3/4 (1212x1212)
4 (102)	6x6 (152x152)					
5 (127)	6x6 (152x152)					
6 (152)	6x6 (152x152)				NA = Not Available	
6 (152)	9x9 (229x229)	1				
8 (203)	9x9 (229x229)	1				
9 (229)	9x9 (229x229)	1				
10 (254)	12x12 (305x305)	N/A	N/A			
12 (305)	12x12 (305x305)	N/A	N/A			
12 (305)	15x15 (381x381)	N/A	N/A			
14 (356)	15x15 (381x381)	N/A	N/A			
15 (381)	15x15 (381x381)	N/A	N/A			
16 (406)	18x18 (457x457)	N/A	N/A			
18 (457)	18x18 (457x457)	N/A	N/A			
18 (457)	21x21 (533x533)	N/A	N/A	2		
20 (508)	21x21 (533x533)	N/A	N/A	2		
21 (533)	21x21 (533x533)	N/A	N/A	2		
22 (559)	24x24 (610x610)	N/A	N/A	N/A	N/A	
24 (610)	24x24 (610x610)	N/A	N/A	N/A	N/A	

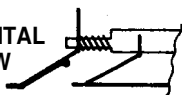
### NOTES:

- Order standard SKEA which has an outside of 11-13/16" x 11-13/16" (229x229).
- Order standard SKEA which has an outside of 11-13/16" x 23-13/16" (603x603).
- Standard finish is Carnes No. 11 white electrocoat.

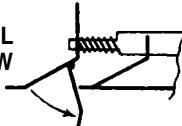
For other sizes and panel sizes contact Carnes Company Sales Department.

### ADJUSTMENT

HORIZONTAL AIR FLOW



VERTICAL AIR FLOW



Two spring loaded pins, four pin suspension to ceiling plate. Removable and interchangeable center core assembly.