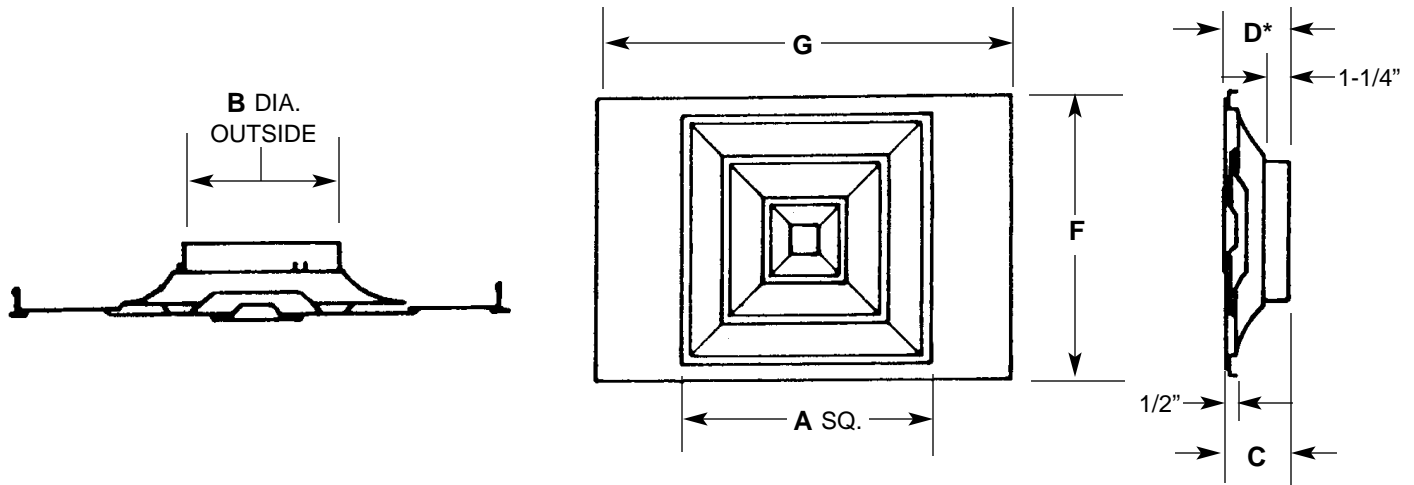


Imperial [IP] Dimensions
Metric (SI) on Reverse

CARNES COMPANY, 448 S. Main St., P. O. Box 930040, Verona, WI 53593-0040 Phone (608) 845.6411 Fax: (608) 845.6470 carnes@carnes.com



DIMENSIONS LISTED IN INCHES

Model Number	Nominal Duct Size (Dia.)	Nominal Louvered Area	Panel Size	Panel Mount						Number of Cones	Unit Configuration (Actual-Inches)
				A	B	C	D*	F	G		
SFTA 1205*	5	12 x 12	12 x 12	11-3/4	4-7/8	2-1/2	3-1/4	11-3/4	11-3/4	3	 11-3/4" Sq.
SFTA 1206*	6	12 x 12	12 x 12	11-3/4	5-7/8	2-1/2	3-1/4	11-3/4	11-3/4	3	
SFTA 1207*	7	12 x 12	12 x 12	11-3/4	6-7/8	2-1/2	3-1/4	11-3/4	11-3/4	3	
SFTA 1205-Opt. 12	5	12 x 12	12 x 24	11-3/4	4-7/8	2-1/2	3-1/4	11-3/4	23-3/4	3	 23-3/4"
SFTA 1206-Opt. 12	6	12 x 12	12 x 24	11-3/4	5-7/8	2-1/2	3-1/4	11-3/4	23-3/4	3	
SFTA 1207-Opt. 12	7	12 x 12	12 x 24	11-3/4	6-7/8	2-1/2	3-1/4	11-3/4	23-3/4	3	
SFTA 1205-Opt. 14	5	12 x 12	12 x 48	11-3/4	4-7/8	2-1/2	3-1/4	11-3/4	47-3/4	3	 47-3/4"
SFTA 1206-Opt. 14	6	12 x 12	12 x 48	11-3/4	5-7/8	2-1/2	3-1/4	11-3/4	47-3/4	3	
SFTA 1207-Opt. 14	7	12 x 12	12 x 48	11-3/4	6-7/8	2-1/2	3-1/4	11-3/4	47-3/4	3	
SFTA 1205-Opt. 22	5	12 x 12	24 x 24	11-3/4	4-7/8	2-1/2	3-1/4	23-3/4	23-3/4	3	 23-3/4" Sq.
SFTA 1206-Opt. 22	6	12 x 12	24 x 24	11-3/4	5-7/8	2-1/2	3-1/4	23-3/4	23-3/4	3	
SFTA 1207-Opt. 22	7	12 x 12	24 x 24	11-3/4	6-7/8	2-1/2	3-1/4	23-3/4	23-3/4	3	
SFTA 1205-Opt. 24	5	12 x 12	24 x 48	11-3/4	4-7/8	2-1/2	3-1/4	23-3/4	47-3/4	3	 47-3/4"
SFTA 1206-Opt. 24	6	12 x 12	24 x 48	11-3/4	5-7/8	2-1/2	3-1/4	23-3/4	47-3/4	3	
SFTA 1207-Opt. 24	7	12 x 12	24 x 48	11-3/4	6-7/8	2-1/2	3-1/4	23-3/4	47-3/4	3	
SFTA 1806-Opt. 22	6	18 x 18	24 x 24	17-3/4	5-7/8	3-1/16	4-7/16	23-3/4	23-3/4	4	 23-3/4" Sq.
SFTA 1808-Opt. 22	8	18 x 18	24 x 24	17-3/4	7-7/8	3-1/16	4-7/16	23-3/4	23-3/4	4	
SFTA 1810-Opt. 22	10	18 x 18	24 x 24	17-3/4	9-7/8	3-1/16	4-7/16	23-3/4	23-3/4	4	
SFTA 1812-Opt. 22	12	18 x 18	24 x 24	17-3/4	11-7/8	3-1/16	4-7/16	23-3/4	23-3/4	4	
SFTA 1806-Opt. 24	6	18 x 18	24 x 48	17-3/4	5-7/8	3-1/16	4-7/16	23-3/4	47-3/4	4	 47-3/4"
SFTA 1808-Opt. 24	8	18 x 18	24 x 48	17-3/4	7-7/8	3-1/16	4-7/16	23-3/4	47-3/4	4	
SFTA 1810-Opt. 24	10	18 x 18	24 x 48	17-3/4	9-7/8	3-1/16	4-7/16	23-3/4	47-3/4	4	
SFTA 1812-Opt. 24	12	18 x 18	24 x 48	17-3/4	11-7/8	3-1/16	4-7/16	23-3/4	47-3/4	4	

*These units have one piece ceiling plate and panels. All others are fabricated of flat panels and stamped ceiling plates. Each unit has a removable center cone for access to the damper control rod. Each unit inner assembly is easily removable for mounting to the duct work. Standard finish is #11 white electrocoat enamel.