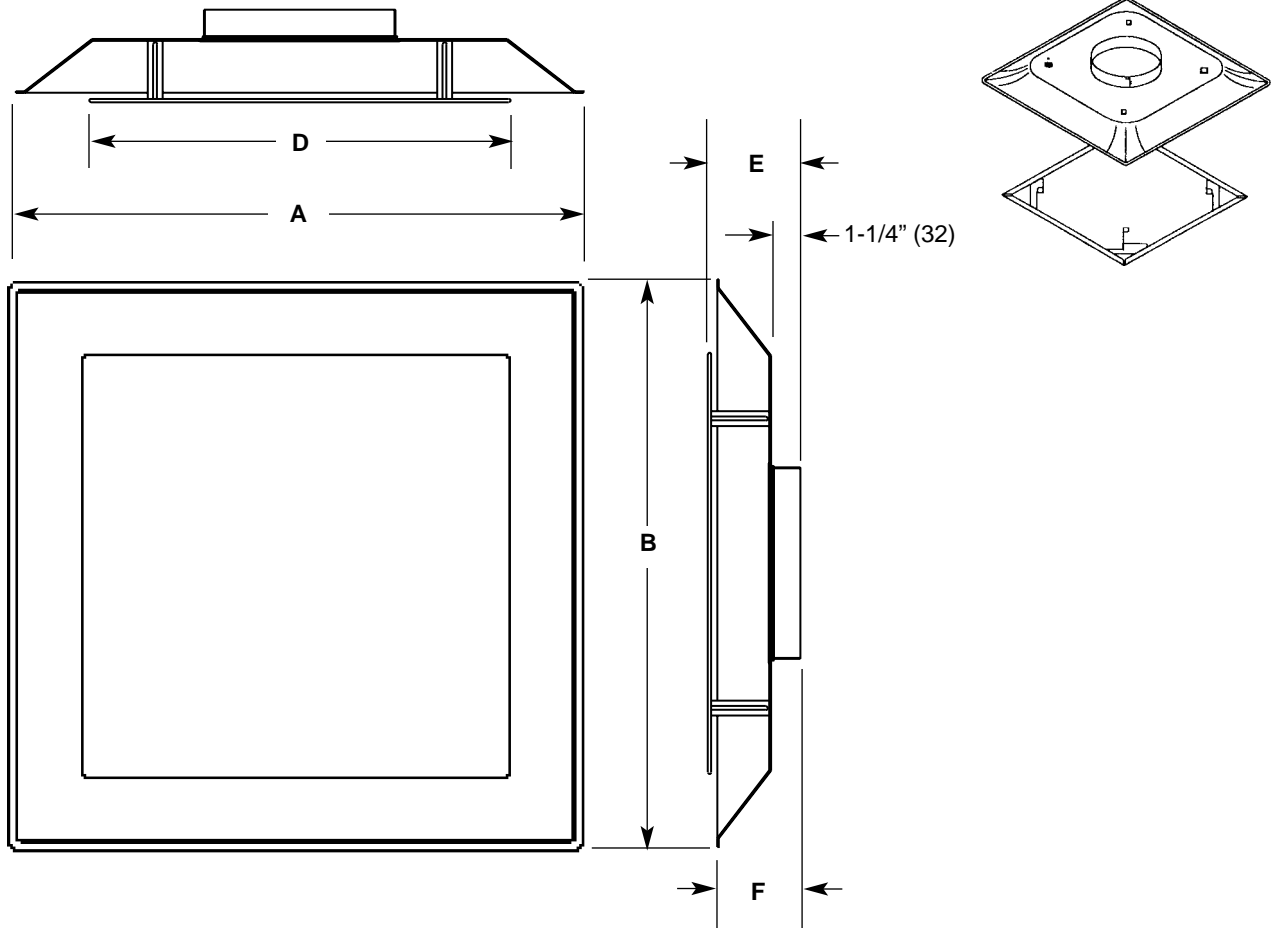


**Imperial [IP] Dimensions**  
*Metric (SI) In Parentheses*

CARNES COMPANY, 448 S. Main St., P. O. Box 930040, Verona, WI. 53593-0040 Phone: 608/845-6411 Fax: 608/845-6470 E-Mail: carnes@carnes.com www.carnes.com



Model Number	Nominal Duct Size	A	B	C	D	E	F
SFPA 1106	6" (152)	11-3/4" (298)	11-3/4" (298)	5-7/8" (149)	9" (229)	3-7/16" (87)	3" (76)
SFPA 1108	8" (203)	11-3/4" (298)	11-3/4" (298)	7-7/8" (200)	9" (229)	3-7/16" (87)	3" (76)
SFPA 2406	6" (152)	23-3/4" (603)	23-3/4" (603)	5-7/8" (149)	17-5/8" (448)	3-7/8" (98)	3-1/2" (89)
SFPA 2408	8" (203)	23-3/4" (603)	23-3/4" (603)	7-7/8" (200)	17-5/8" (448)	3-7/8" (98)	3-1/2" (89)
SFPA 2410	10" (254)	23-3/4" (603)	23-3/4" (603)	9-7/8" (251)	17-5/8" (448)	3-7/8" (98)	3-1/2" (89)
SFPA 2412	12" (305)	23-3/4" (603)	23-3/4" (603)	11-7/8" (302)	17-5/8" (448)	3-7/8" (98)	3-1/2" (89)
SFPA 2414	14" (356)	23-3/4" (603)	23-3/4" (603)	13-7/8" (352)	17-5/8" (448)	3-7/8" (98)	3-1/2" (89)
SFPA 2416	16" (406)	23-3/4" (603)	23-3/4" (603)	9-7/8" (251)	17-5/8" (448)	3-7/8" (98)	3-1/2" (89)

- Notes:**
1. The core is easily removable by compressing the locking spring and rotating the core counter-clockwise.
  2. The standard finish is electrocoat acrylic baked enamel. Other finishes are available upon request.
  3. The standard color is #11 Bright White. Other colors are available on request.
  4. Inlet is undersized by 1/8" (3) to fit into the duct.
  5. To mount this diffuser in a plaster ceiling, use KXFA Auxiliary Frame.
  6. Construction is steel.
  7. Unit is shipped completely assembled.
  8. Metric dimensions are in millimeters.