

Imperial [IP] Dimensions

CARNES COMPANY, 448 S. Main St., P. O. Box 930040, Verona, WI 53593-0040 Phone (608) 845.6411 Fax: (608) 845.6470 carnes@carnes.com

STANDARD CONSTRUCTION

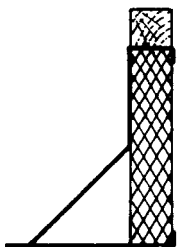
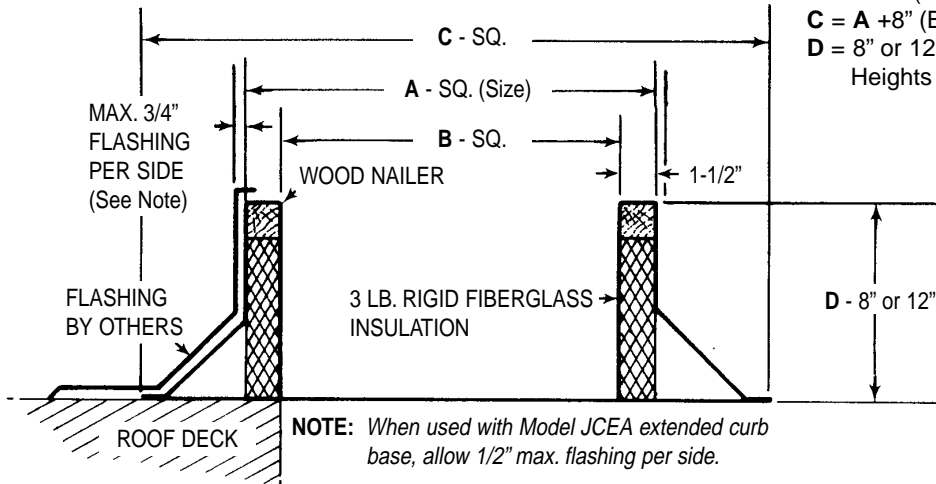
Heavy gauge galvanized steel, utilized full mitered corners, all seams welded, 1-1/2" thick rigid fiberglass insulation, wood nailer strip. All curbs are internally reinforced in larger size dimensions.

CURB SIZE DESIGNATION

First 3 digits "A" dimension in inches, 4th digit number of eighths in fraction (1/2" is 4 eighths). Size 24-1/2" x 36" would be:
SIZE: 0244 0360.

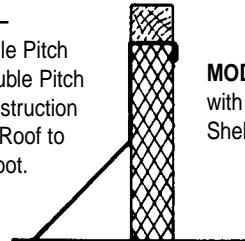
CURB DIMENSIONS

A = Unit Curb Cap — 1-1/2" (Curb Size O.D.)
B = A - 3" (Curb I. D.)
C = A + 8" (Base O. D.)
D = 8" or 12" (Curb Height) other Heights available.

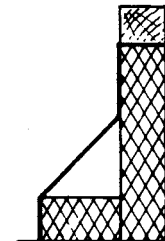


MODELS —
JCFAG - Galvanized
JCFAA - Aluminum
Standard Height — 8" or 12". Also available with Option L - Interior Liner

MODELS —
JCPA - Single Pitch
JCDA - Double Pitch
Similar Construction for Pitched Roof to 1-1/2" per foot.



MODEL - JCFA
with Damper Shelf Option



MODEL - JCRA
Raised Cant
Standard 1-1/2"
Raised Cant ADDS 1-1/2" to Height

LOCATION/ MARK	QUANTITY	MODEL	SIZE	HEIGHT	OPTION

NOTES:

PROJECT:			ARCHITECT:		
CONTRACTOR:	DATE:	SUBMITTED BY:	ENGINEER		