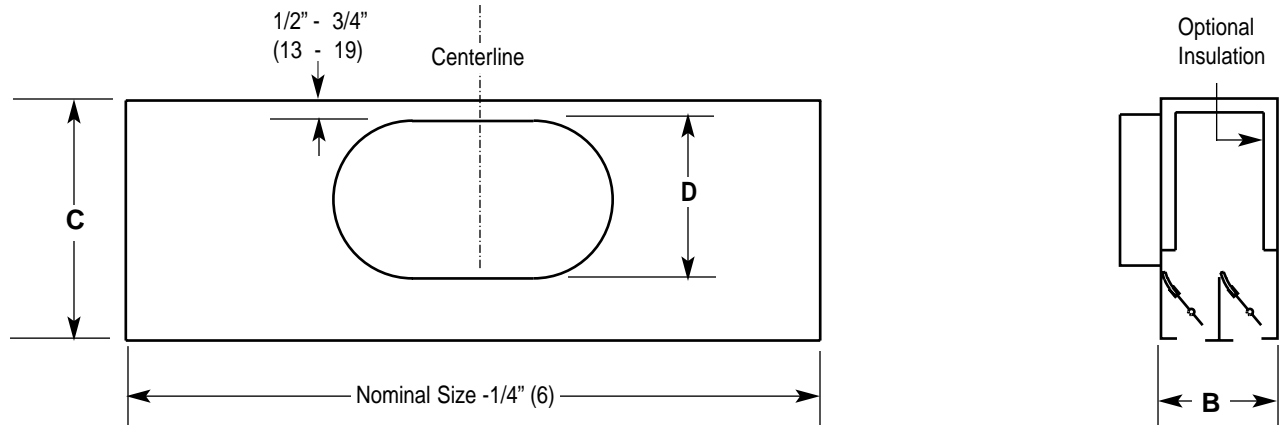


IP [English] Dimensions
SI (Metric) In Parentheses

Models DASC and DARC Adjustable Plenum Slot Supply Diffuser

CARNES COMPANY, 448 S. Main St., P. O. Box 930040, Verona, WI. 53593-0040 Phone: 608/845-6411 Fax: 608/845-6470 carnes@carnes.com www.carnes.com



Notes:

- 24 gauge galvalume steel construction.
- Face of unit is painted black as standard, with White Tees. Other finishes are available on request.
- For surface mounting use model KXFBA Auxiliary Mounting Frame.
- Metric (SI) dimensions are shown in millimeters.
- Aluminum deflectors pivot individually on axle to alter blow pattern and discharge angle.
- Felt seal at top of deflector prevents air leakage.
- Model DASC 2-slot is supplied with a shroud to straddle the existing T-bar.
- When specified, insulation is 1/2" (13), 2-pound density matte-finish fiberglass, internally mounted.

Nominal Inlet Size	Dim. D
6" (152)	3-1/2" (89)
8" (203)	5-1/4" (133)
10" (254)	5-1/4" (133)
12" (305)	5-1/4" (133)

Slot Qty	Nominal Inlet Sizes	Dim. C
1-Slot	6" (152), 8" (203), 10" (254)	8" (203)
	12" (305)	11" (279)
2-Slot	6" (152), 8" (203), 10" (254)	8" (203)
	12" (305)	11" (279)
3-Slot	6" (152), 8" (203), 10" (254), 12" (305)	11" (279)
4-Slot	6" (152), 8" (203), 10" (254), 12" (305)	11" (279)

	Diffuser Width (Dimension B)		
	Slot Width (Dim. A)		
	3/4" (19)	1" (25)	1-1/2" (38)
1-Slot	1-3/4" (44)	2" (51)	2-1/2" (64)
2-Slot	3-1/2" (89)	4" (102)	5" (127)
3-Slot	5-1/4" (133)	6" (152)	7-1/2" (191)
4-Slot	7" (178)	8" (203)	10" (254)

